

**Canon**

# J11ex4.5B

*Incredible "Super Wide" lens achieving 100° in diagonal and now including enhanced digital features.*



**EFxS**



# J11ex 4.5B

**eIFxs**

Incredible "Super Wide" lens achieving 100° in diagonal and now including enhanced digital features.

The **eIFxs** technology consists of two meanings that start from the letter "e". One is the "Ecological Design", the design harmless to the environment. The other is the "enhanced digital" technology which improves the performance of the digital drive unit. Of course, the new series inherits all the advantages from its predecessor, the IFxs series, which includes the advanced optical design concept, based on the X element technology.

## The Features of e-IFxs Enhanced Digital Drive

The **eIFxs** series is equipped with an informational display and a Digital Function Selector so that the user can customize the enhanced digital functions much more easily and precisely. This new design enables the user to bring out the digital functions fully.

In addition, the drive unit can memorize 9 patterns of user-customized settings and also transmit the data between different drive units.

## Ecological Design

It is Canon's policy to not pollute the earth and through research we are quickly reaching the goal.

The **eIFxs** series has avoided using any materials or substances that could pollute the environment.

The optical parts, featuring lead free glass, are designed to be completely non-polluting and the mechanical parts are virtually free of all harmful products to the earth.

It is our intention that as soon as possible our lenses will minimize environmental impact.

## X-Element & Power Optical System

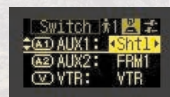
Canon has developed breakthrough optical design concepts using a newly developed optical element in the most effective way. We have named this design concept the "Power Optical System" which can achieve higher specifications and quality in a smaller size and lighter weight, using a unique optical "Element" which realizes complete elimination of its aberration. Thanks to X-Element & Power Optical System, the J11ex4.5B is offering super wide angle 100° in diagonal with improved optical quality.

## eIFxs Digital Drive System

Canon's enhanced Digital Drive System with informational display provides outstanding operation and features.

### Shuttle Shot:

By memorizing any two focal lengths, the Digital Drive can automatically "shuttle" between the two points, moving in either direction.



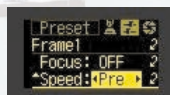
### Framing Preset:

An angle of view can be preset in either of two memories and the lens will zoom to that position by pushing a simple button. During a performance, framing preset will reproduce the zoom position decided upon at the rehearsal. It's easy to repeat the same zoom as often as you like at the highest speed or in a preset zoom speed.



### Speed Preset:

A specific zoom speed can be preset in memory and it is possible to repeat the zoom speed as often as you like by pushing a simple button.



- "Zoom Track" allows the camera operator to adjust the electronic focal length to their desired range by memorizing zoom positions at both the tele and the wide side of the zoom.
- User settings for zoom and focus curve mode for precise control based upon the users requirement.
- PC connection for remote control or diagnosis can be accomplished via a communication interface on the lens and personal computer with optional software.
- Canon offers a unique digital Zoom Demand, the ZSD-300D and digital Focus Demand, the FPD-400D. The ZSD-300D zoom demand will operate the shuttle shot and frame preset features of the lens. All digital demands connect to the lens via a new one-touch 20-pin connector. All current analog demands are compatible with digital drive lenses.
- By using an adapter cable, it is possible to use the Studio/Field digital lens controllers with the J11ex4.5B.
- CROSSOVER (Dual Aspect ratio Switching System)  
The J11ex4.5B is available with the crossover option in two versions, the J11ex4.5B WRSD/WASD with 2X extender and the J11ex4.5B VRSD/VASD without 2X extender for switchable cameras.
- **Accessories**  
Optical Accessories: 127mm Filters

**Momentary Iris Switch**

**Zoom operation switch**

**Return switch**

**Informational Display**

**Digital Function Selector**

**Display switch**



**[Aux2] switch for enhanced operation**

**VTR switch**

**[Aux1] switch for enhanced operation**

**Memory switch**

**SHORT M.O.D., 0.3m(0.9ft)**

**COUNTERMEASURES AGAINST GHOSTING AND FLARES**

**ZOOM RATIO 11X**

**ULTRA WIDEST ANGLE AVAILABLE SURPASSING 100° IN DIAGONAL**

**CROSSOVER MODE**   
 ●For 16:9/4:3 switchable cameras.(Option)

**Built-in 2X Extender**

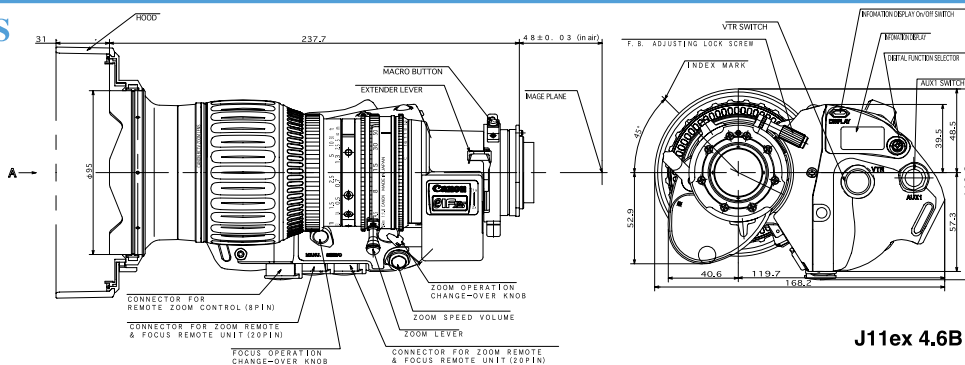
**Ecological Design**

**Vari-Polar Hood**

**SPECIFICATIONS**

J11ex 4.5B	NORMAL4:3		16:9		SWITCHABLE 4:3		
	8.8 x 6.6mm ; φ 11.0mm		9.6 x 5.4mm ; φ 11.0mm		7.2 x 5.4mm ; φ 9.0mm		
Image Format	8.8 x 6.6mm ; φ 11.0mm		9.6 x 5.4mm ; φ 11.0mm		7.2 x 5.4mm ; φ 9.0mm		
Built-in extender	1.0X	2.0X	1.0X	2.0X	1.0X	1.2X	2.4X
Zoom Ratio	11X						
Range of Focal length	4.5 - 50mm	9 - 100mm	4.5 - 50mm	9 - 100mm	3.7 - 41mm	4.5 - 50mm	9 - 100mm
Maximum Relative Aperture	1:1.8 at 4.5~36mm 1:2.35 at 50mm	1:3.6 at 9~72mm 1:4.7 at 100mm	1:1.8 at 4.5~36mm 1:2.35 at 50mm	1:3.6 at 9~72mm 1:4.7 at 100mm	1:1.8 at 3.7~38mm 1:1.95 at 41mm	1:1.8 at 4.5~36mm 1:2.35 at 50mm	1:3.6 at 9~72mm 1:4.7 at 100mm
Angular Field of View	88.7°x72.5° at 4.5mm 10.1°x7.6° at 50mm	52.1°x40.3° at 9mm 5.0°x3.8° at 100mm	93.7°x61.9° at 4.5mm 11.0°x6.2° at 50mm	56.1°x33.4° at 9mm 5.5°x3.1° at 100mm	88.7°x72.5° at 3.7mm 10.1°x7.6° at 41mm	77.3°x61.9° at 4.5mm 8.2°x6.2° at 50mm	43.6°x33.4° at 9mm 4.1°x3.1° at 100mm
Minimum object Distance(M.O.D.)	0.3m from front lens vertex						
Object Dimensions at M.O.D.	67.9x50.9cm at 4.5mm 5.9x4.4cm at 50mm	34.0x25.5cm at 9mm 3.0x2.2cm at 100mm	74.1x41.7cm at 4.5mm 6.4x3.6cm at 50mm	37.0x20.8cm at 9mm 3.2x1.8cm at 100mm	67.9x50.9cm at 3.7mm 5.9x4.4cm at 41mm	55.6x41.7cm at 4.5mm 4.8x3.6cm at 50mm	27.8x20.8cm at 9mm 2.4x1.8cm at 100mm
Size	168.2(W)x110.6(H)x237.7(L)mm						
Approx.Mass (IRSD/IASD)	1.83kg(4.03lbs)/1.93kg(4.25lbs)						
	IRSD/IASD				VRSD/VASD		
					WRSD/WASD		

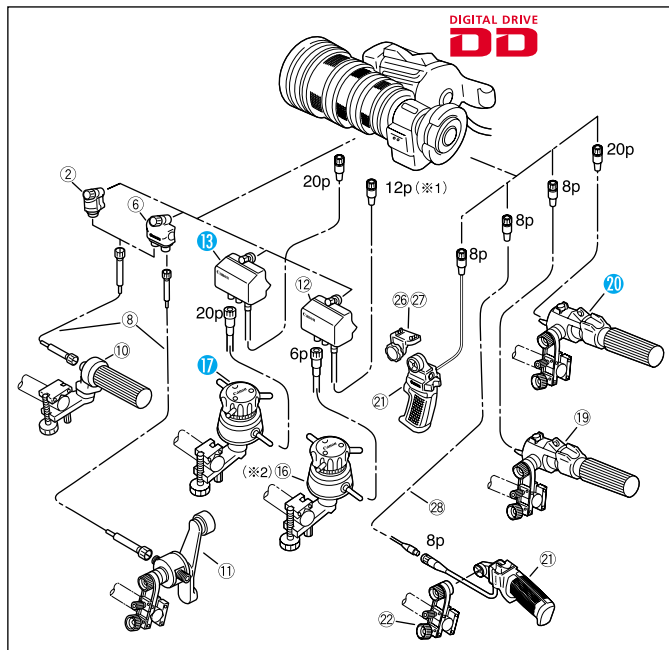
**DIMENSIONS**



**J11ex 4.6B IRSD (Unit:mm)**



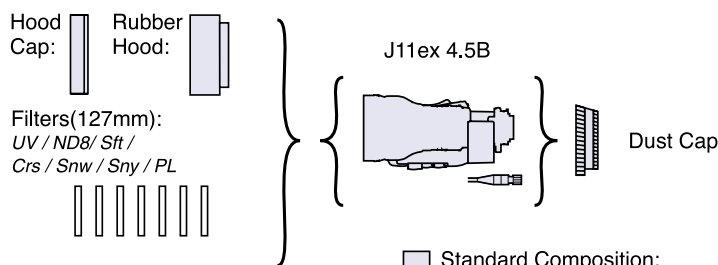
## CONTROL ACCESSORIES



(※1) ③③ CC-2012 conversion cable is necessary to connect between IRSD Digital Drive Lens and FPM-420.  
 (※2) ③② CC-2006 conversion cable is necessary to connect between IASD Digital Drive Lens and FPD-400.

#	Unit	Description	CODE
②	FFM-100	Flex Focus Module	1824A015
⑥	FFM-200	Flex Dual Module	1824A013
⑧	FC-40	Flex Cable	1824A010
⑩	FFC-200	Flex Focus Controller	1824A014
⑪	FZC-100	Flex Zoom Controller	1824A021
⑫	FPM-420	Focus Positional Servo Module	1824A026
⑬	FPM-420D	Focus Positional Servo Module	1824A129
⑭	FPM-500	Focus Positional Servo Module	1824A027
⑯	FPD-400	Focus Positional Demand	1824A018
⑰	FPD-400D	Focus Positional Demand	1824A124
⑲	ZSD-300A*/M	Zoom Demand	A 1824A066 M 1824A067
⑳	ZSD-300D	Zoom Demand	1824A123
㉑	ZSG-200A*/M	Zoom Servo Grip	A 1824A068 M 1824A069
㉒	CR-10	Clamper	1824A007
㉔	ZGA-400**	Grip Adapter	0025T616
㉘	EC-80	Zoom Extension Cable (8P)	1824A009
㉚	CC-2006	Conv. Cable (20pM-6pF)	1824A125
㉛	CC-2012	Conv. Cable (20pM-12pF)	1824A126

## OPTICAL ACCESSORIES



Standard Composition:  
 • Lens  
 • Hood Unit(Hood Cap,Rubber Hood.)  
 • Dust Cap.  
 • Operational Manual.

MODEL	CODE
UV / 127mmP0.75	1823A083
Crs / 127mmP0.75	1823A085
SNW / 127mmP0.75	1823A087
SNY / 127mmP0.75	1823A088
PL / 127mmP0.75	1823A090
SFT / 127mmP0.75	1823A089
ND8 / 127mmP0.751	1823A086

### North & South America

**Canon U.S.A., Inc.**  
 Broadcast and Communications Div. (Headquarters)  
 400 Sylvan Avenue Englewood Cliffs, NJ 07632  
 Tel:(201)816-2900/(800)321-4388 Fax:(201)816-2909  
 Email:bctv@cusa.canon.com  
<http://www.canonbroadcast.com/>

**Chicago**  
 100 Park Blvd, Itasca, IL 60143  
 Tel:(630)250-6231 Fax:(630)250-0399

**Atlanta**  
 5625 Oakbrook Pkwy, Norcross, GA 30093  
 Tel:(770)849-7895 Fax:(770)849-7888

**Los Angeles**  
 15955 Alton Parkway Irvine, CA 92618  
 Tel:(949)753-4330 Fax:(949)753-4337

**Dallas**  
 3200 Regent Blvd, Irving, TX 75063  
 Tel:(972)409-8871 Fax:(972)409-8869

**Latin America**  
 Tel:(954)349-6975 Fax:(201)816-2909

### Canada

**Canon Canada, Inc.**  
 Optics Division 6390 Dixie Road  
 Mississauga, Ontario, L5T 1P7, Canada  
 Tel:(905)795-2012 Fax:(905)795-2140

### Europe/Africa/Middle East

**Canon Europa N.V.**  
 Broadcast and Communications Div.  
 Bovenkerkerweg 59-61  
 1185 XB Amstelveen  
 Tel:+31(0)20-5458905 Fax:+31(0)20-5458203  
 Email:tvprod@canon-europe.com  
<http://www.canon-europe.com/tv-products>

**Australia**  
 Canon Australia Pty. Ltd.  
 Optical Products Division  
 1 Thomas Holt Drive, North Ryde, NSW 2113  
 Tel:+61(0)2-9805-2000 Fax:+61(0)2-9805-2444

**China**  
 Canon (China) Co., Ltd.  
 Optical Products Division 15F South Tower, Beijing  
 Kerry Center, 1 Guang Hua Road,  
 Chao Yang District, 100020, Beijing, China  
 Tel:(010)8529-8488 ex 133 Fax:(010)8529-6606  
<http://www.canon.com.cn>

**Asia/Japan**  
 Canon Inc.(Broadcast Equipment Group)  
 20-2, Kiyohara-Kogyo-Danchi, Utsunomiya-shi,  
 Tochigi-ken, 321-3292  
 Tel:+81(0)28-667-8669 Fax:+81(0)28-667-8672  
<http://www.canon.com/bctv>

Specifications subject to change without notice