

Feel the strength, rigidity and smoothness of the Jimmy Jib Triangle

**Our proprietary triangular, aluminum tubing has super rigidity, yet is very lightweight*

**The Jimmy Jib Triangle's modular design allows you to start small and expand later*

**Can be extended from a reach of 6ft (1.8m) to an incredible 40ft (12m)*

**Packs up to an incredibly small 3ft 10 in package*

**Can handle cameras up to 50 lbs. (22.6kg) at 30ft (9.1m) reach*

**A simple, single cable eliminates the need for a heavy, complicated tie rod system*

** Fits easily into small pickups and mini vans*

** Head can be mounted on top or underslung*

** Sets up quickly with only one tool*

** Optional Dutch Roll*

Standard Jib Shown
(6ft reach, 1.8m)



** Our super smooth, pan/tilt head is fast, quiet and has zero backlash*

** The single post head design allows almost unlimited access to the camera, making it easy to get to the eyepiece or change film*

** The tubing is joined together with our proprietary, tapered, locking system. This helps eliminate flex at the joints*

** Routing the electronic cable internally allows multiple 360's without the use of unreliable slip rings*

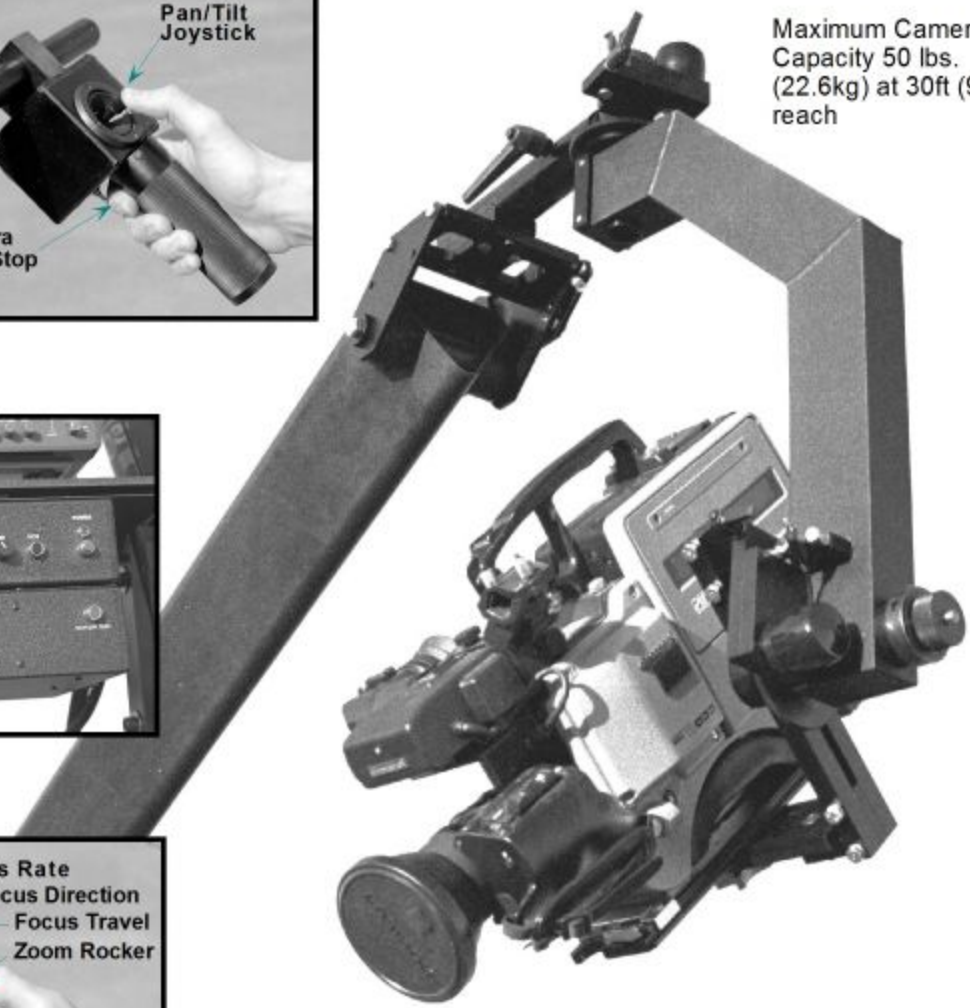
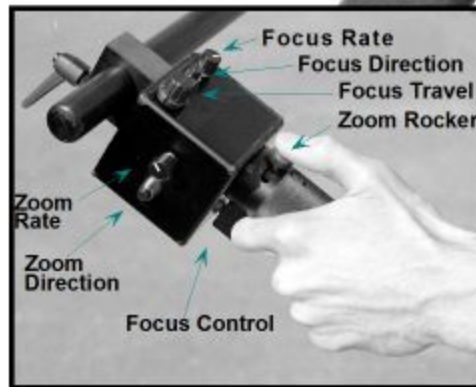




Made in the USA

Maximum Camera Capacity 50 lbs. (22.6kg) at 30ft (9.1m) reach

- * Operator has remote control of pan, tilt, zoom, focus, iris and camera start/stop
- * Adjustable ramping automatically cushions pan and tilt movements
- * AC or DC operation
- * Two position focus memory
- * Variable speed joystick or Crank Wheel pan/tilt control (with sensitivity adjustments)
- * Quiet Drive Gear Motors are fast, have no backlash and are virtually silent
- * Unique internal head cables allow over 600 degrees of pan rotation without the use of unreliable slip rings
- * Operates most video and film lenses
- * Super smooth, accurate focus motor
- * Dutch Roll option available (120/360 degree total rotation)
- * Eight amp hour battery pack, with charger and LED bargraph



Stanton Video Services Inc.
 2223 E. Rose Garden Loop
 Phoenix Arizona 85024 USA
 Tel: (602)493-9505 Fax: (602)493-2468
 jim@jimmyjib.com
 www.jimmyjib.com

Now
Extends
To
40ft (12m)

(25 lbs/11.3 kg
Capacity at 40ft)

Extreme

Capacity: 50 lbs. (22.6kg)
Height: 33ft (10.6m)
Reach: 30ft (9.1m)
Weight (with remote) 179 lbs. (79kg)

Super Plus

Capacity: 50 lbs. (22.6kg)
Height: 30ft (9.1m)
Reach: 24ft (7.3m)
Weight (with remote) 151 lbs. (68kg)

Super

Capacity: 50 lbs. (22.6kg)
Height: 25ft (7.6m)
Reach: 18ft (5.4m)
Weight (with remote) 131 lbs. (59kg)

Giant Plus

Capacity: 50 lbs. (22.6kg)
Height: 23ft (7m)
Reach: 15ft (4.5m)

Giant

Capacity: 50 lbs. (22.6kg)
Height: 19ft (5.7m)
Reach: 12ft (3.6m)
Weight (with remote) 103 lbs. (46kg)

Standard Plus

Capacity: 50 lbs. (22.2kg)
Height: 16ft (4.8m)
Reach: 9ft (2.7m)

Standard

Capacity: 50 lbs. (22.4kg)
Height: 13ft (3.9m)
Reach: 6ft (1.8m)
Weight (with remote) 83 lbs. (37kg)

Junior (Stub)

Capacity: 50 lbs. (22.7kg)
Height: 9ft (2.7m)
Reach: 3ft (.9m)

Triangle Specs

The Triangle's modular design, allows you to start small, then expand your system later when you really have the need.

The most accurate way to compare jib arms is to use "reach" (not height) as the measurement. Reach is the length from the pivot point at the tripod, to the front of the jib

Super Plus Shown

One rear section for the Junior, Standard, Standard Plus and Giant
Add second rear section for the Giant Plus, Super and Super Plus
(add second section to giant to use less counter weight)
Add third rear section for the Extreme

